



STEEL PANEL RADIATORS **LEMAX** Premium



INSURED BY ZETTA INSURANCE LLC
FOR THE AMOUNT OF 50 MILLION RUBLES

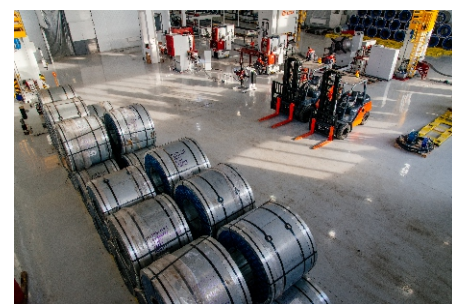
STEEL PANEL RADIATOR MANUFACTURING PLANT



Steel panel radiators LEMAR Premium comply with the Russian standard GOST 31311-2005 and the European standard EN 442.

LEMAR Premium radiators have been produced in Taganrog since 2018 on the best automatic lines of the Italian concern LEAS, which is recognized as a leader in the production of welding equipment and has been producing various production lines with constant innovation for more than 40 years.

Production volume of the plant is **1 200 000** radiators per year. The production process base on electronic control system. The operator takes part only in select the software when changing a different radiator size or models.



The combination of high quality Russian steel and Italian equipment makes LEMAR Premium radiators reliable, efficient and durable devices.

Steel panel radiators are used in apartment buildings, in medical institutions, in the private sector, in public and commercial facilities, as well as in industrial buildings and structures. This type of heating device differs from others in high heat transfer, constant temperature regime, pleasant appearance and affordable cost.

The assortment of more than **4500** models includes all possible configurations: radiators with one, two or three panels, with a number of convectors from one to three. Each of the types is available in two versions - with side (C) or bottom (VC) connection. Also in the model range of products are hygienic radiators, which consist only of heating panels. Decorative radiators retain all the technical characteristics of the basic models, differing only in a modern and stylish appearance. Available in horizontal and vertical design.

To emphasize the individuality of the design, LEMAR Premium radiators can be made in one of the RAL colors.

LEMAR Premium radiators are connected without removing the transportation packaging, which ensures the preservation of their appearance during all installation work until they are completed.

LEMAR Premium radiators are presented in specialized software designed for calculating heating systems (BIM-models, DANFOSS, SANKOM, POTOK). Designers now have the opportunity to automatically select LEMAR Premium radiators for a specific facility.



Strength

- test pressure 1,5 MPa
- maximum working pressure 1,0 MPa
- radiator panels are made of 1,2 mm mild steel, the convector is made of 0,4 mm steel
- radiators withstand pressure higher than the requirements of GOST 31311-2005
- increased mechanical resistance to water hammer is achieved through the use of the latest generation of welding controllers
- resistance to aggressive environment corresponds to the category C2 according to ISO 12944-2-1998



Protective and decorative coating

- applying a primer coat to all surfaces of the radiator
- preparation of surface before heat-resistant protective-decorative coating with the creation of an anti-corrosion layer with chemical components manufactured by BASF
- epoxy-polyester paint coating with a thickness of 80 microns with a paint specially developed for LEMAX by PPG Company of a bright snow-white color, which does not turn yellow during the operating period and retains up to 90% gloss
- more than 50 colors for radiators



Reliability

- fittings from Berg company (Germany)
- silent operation of the built-in valve Danfoss RA – N 013G1382
- certified production according to ISO: 9001 Bureau Veritas Certification
- multistage quality control of products
- insured by ZETTA Insurance LLC in the amount of 50,000,000 rubles
- full 10-year warranty
- service life of 25 years



Product safety

- safety panel surfaces - no burrs, sharp edges and other defects



Quick installation

- simple install of on the wall of any degree of readiness
- simple install in shipping packaging - two layers of shrink film will safe radiators in perfect condition during repair and finishing works

STEEL PANEL RADIATOR LEMAX Premium

COMPACT (C) - SIDE CONNECTION

VALVE COMPACT (VC) - BOTTOM CONNECTION



LEMAX products steel panel radiators in have two connection versions: with side connection **Compact (C)** and with bottom connection **Valve Compact (VC)**.

LEMAX Premium radiators are presented in a wide range of types and sizes.

Available in five heights 200, 300, 400, 500, 600 mm.

Available in lengths from 400 to 3000 with a step of 100 mm.

LEMAX Premium radiators are produced:

- with welded **Hook/Standart** fasteners;
- without welded **Click/Universal** fasteners.



TYPE 10 - 1 panel;

TYPE 11 - 1 panel + 1 convector;

TYPE 20 - 2 panels;

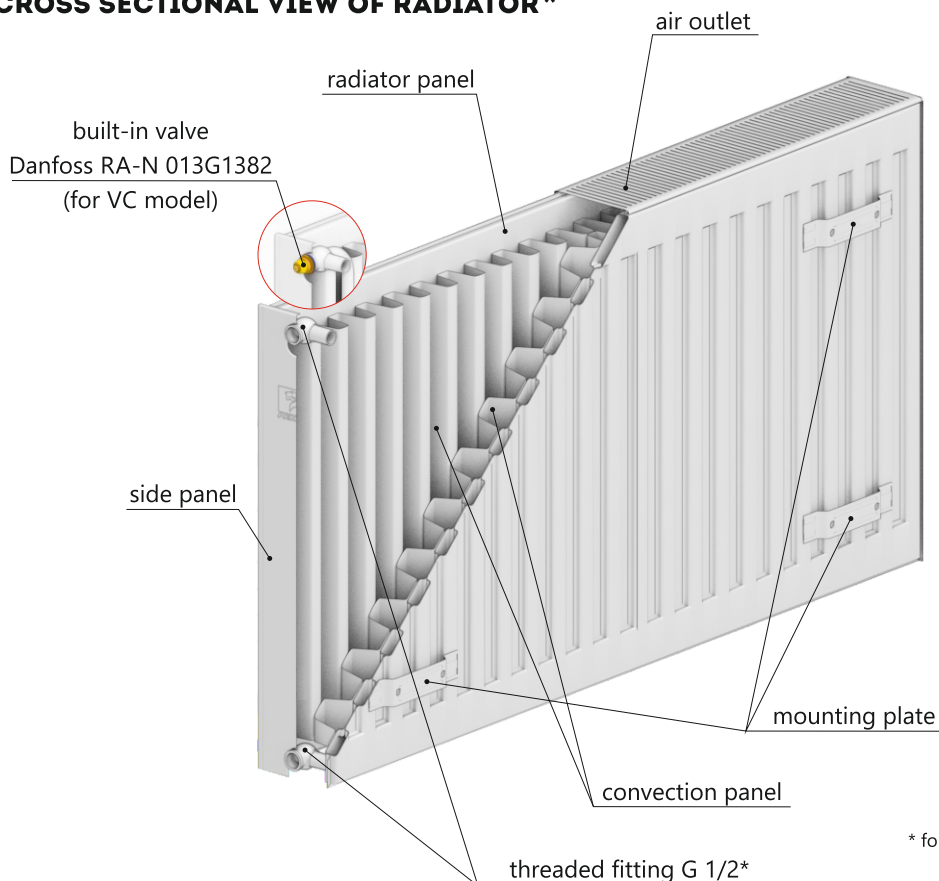
TYPE 21 - 2 panels + 1 convector;

TYPE 22 - 2 panels + 2 convectors;

TYPE 30 - 3 panels;

TYPE 33 - 3 panels + 3 convectors.

CROSS SECTIONAL VIEW OF RADIATOR*



* for radiator with side connection Compact TYPE 22

HYGIENIC RADIATORS

COMPACT HYGIENE (C H) - SIDE CONNECTION

VALVE COMPACT HYGIENE (VC H) - BOTTOM CONNECTION



Hygienic radiators LEMAX Premium Hygiene types 10, 20, 30 consist only of heating panels.

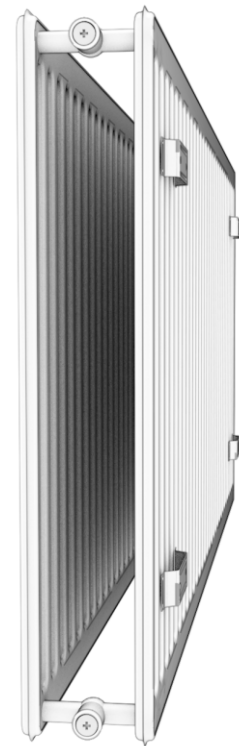
Devices of this design do not accumulate dust and are extremely easy to clean - there is easy access to each of the radiator surfaces to remove dirt and dust. The radiator is easy to clean from any of its sides, which meets the strict sanitary standards of medical and children's institutions. Hygienic radiators have a corresponding expert opinion № 1778r/20018.

Available in four heights 300, 400, 500, 600 mm.

Available in lengths from from 400 to 3000 mm with a step of 100 mm.

Hygienic radiators LEMAX Premium are produced with welded Hook/Standart fasteners.

TYPE 10 H - 1 panel;
TYPE 20 H - 2 panels;
TYPE 30 H - 3 panels.



MAIN FEATURES OF HYGIENIC RADIATORS:

- no convective panels and «grill» covers
- laconic appearance
- light weight
- easy cleaning
- possibility of temperature control at bottom connection

DECORATIVE RADIATORS MODERN



COMPACT MODERN (CM) - SIDE CONNECTION

VALVE COMPACT MODERN (VCM) - BOTTOM CONNECTION

COMPACT MODERN VERTICAL (CMV) - VERTICAL DESIGN

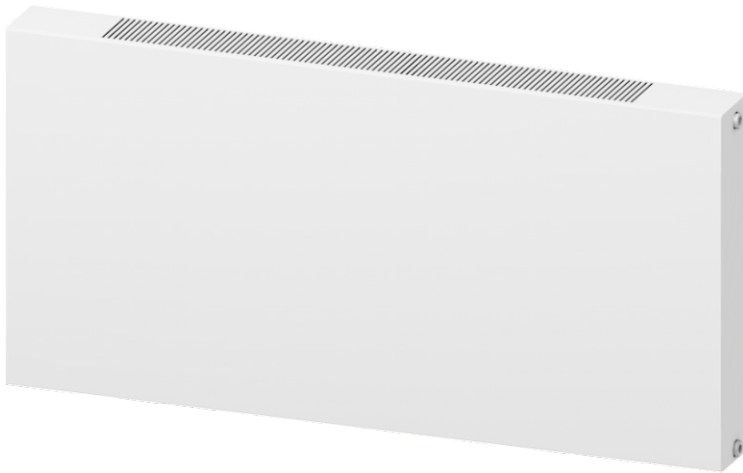
The Modern collection of decorative radiators was created to give warmth and comfort and at the same time to emphasize the style and status of the owner of the premises.

Decorative radiators retain all the technical characteristics of the basic models, differing only in a modern stylish appearance. Thanks to the decorative panels, the radiators will add personality and style to the interiors.

Decorative radiators Modern are produced in two types:

- with side connection **Compact (C)**;
- with bottom connection **Valve Compact (VC)**.

Decorative radiators can be made in **horizontal and vertical design**.



Horizontal design:

TYPE 20 - 2 panels;

TYPE 21 - 2 panels + 1 convector;

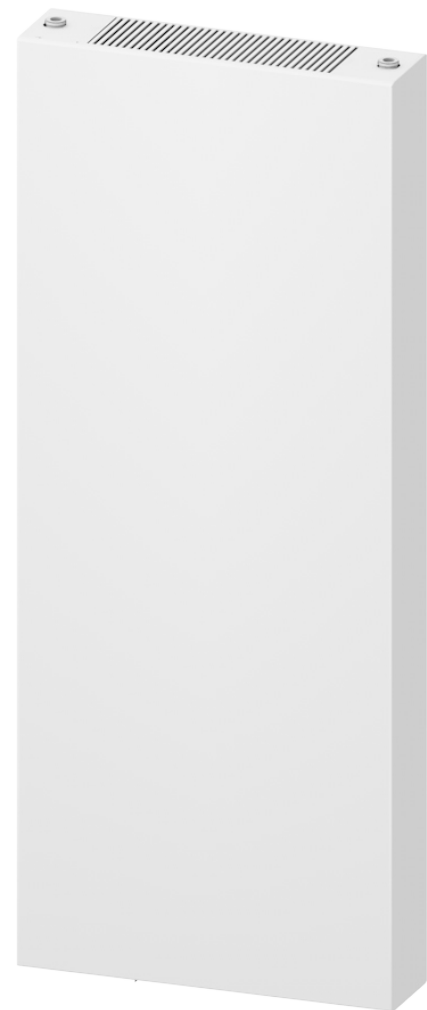
TYPE 22 - 2 panels + 2 convectors;

TYPE 30 - 3 panels;

TYPE 33 - 3 panels + 3 convectors.

height: 200, 300, 400, 500, 600 mm

length: from 400 to 3000 mm in 100 mm steps



Vertical design:

TYPE 20 - 2 panels

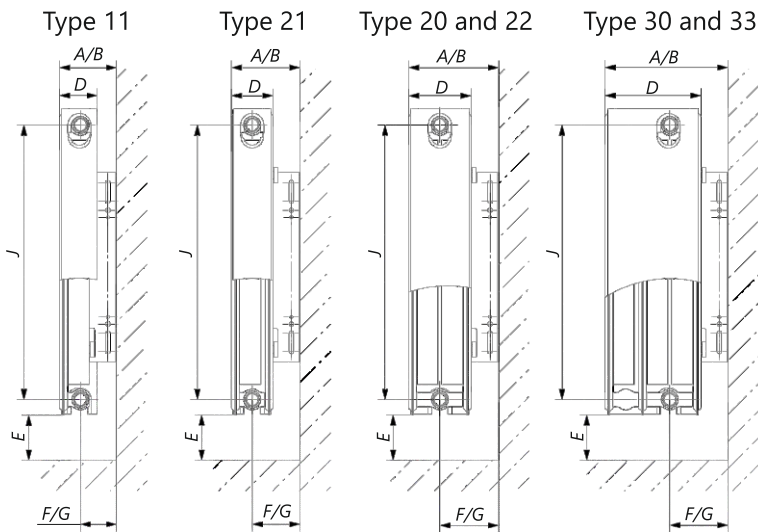
height: from 400 to 3000 mm
in 100 mm steps

length: 200, 300, 400, 500 mm

FASTENING RADIATORS TO THE WALL

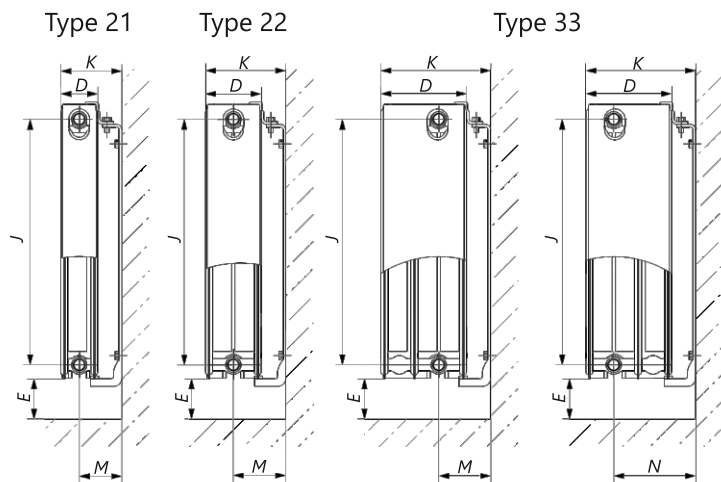


Dimensions based on using the short leg and the long leg for radiators with side connection (C) and bottom connection (VC) with Hook/Standart mount



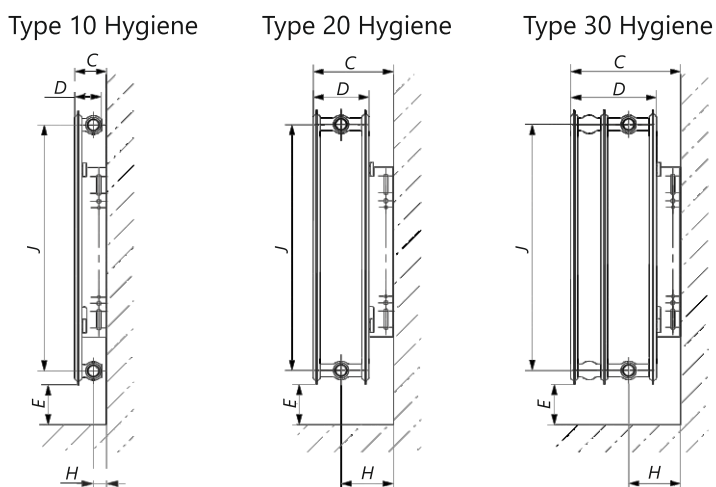
Radiator type	Type 11	Type 21	Type 20/22	Type 30/33
A, MM	77	97	132	186
B, MM	92	112	147	201
D, MM	65	68	102	157
E not less, mm	75	85	105	130
F, MM	44	63	80	80
G, MM	59	78	95	95

Dimensions based on using the short leg and the long leg for radiators with side connection (C) and bottom connection (VC) with Click/Universal mount



Radiator type	Type 21	Type 22	Type 33
D, MM	68	102	157
E not less, mm	85	105	130
K not less, mm	98	132	187
M not less, mm	63	80	80
N not less, mm	-	-	135

Dimensions based on using the short leg and the long leg for Hygiene radiators with side connection (C) and bottom connection (VC) with Hook/Standart mount



Radiator type	Type 10 Hygiene	Type 20 Hygiene	Type 30 Hygiene
C, MM	113	202	257
D, MM	48,5	102	157
E not less, mm	85	105	130
H, MM	120	145	145

FASTENING RADIATORS TO THE WALL

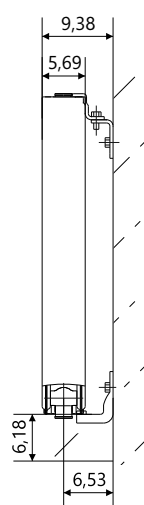


Notes:

- Dimensions A and F - for the option of installing the fixing elements with a large shelf to the wall.
- Dimensions B and G - for the option of installing the fixing elements with a small shelf to the wall.
- Dimensions C and H are for Hygiene radiators.
- Dimension J - center distance between side pipes:
 - for radiators with a height of 200 mm - 149 mm;
 - for radiators with a height of 300 mm - 249 mm;
 - for radiators with a height of 400 mm - 349 mm;
 - for radiators with a height of 500 mm - 449 mm;
 - for radiators with a height of 600 mm - 549 mm;
- Center-to-center distance between the bottom pipes for radiators with bottom connection - 50 mm.
- The distance from the axis of the lowermost branch pipe to the end of the side branch pipe for radiators with a bottom connection is 32 mm.

Dimensions based on using the short leg and the long leg
Compact Modern Vertical (C MV) with Click/Universal mount

Type 20



Radiator type	Type 20
A, мм	97
B, мм	69
C	85
не менее, мм	
D, мм	63

Center-to-center distance between the lower branch pipes:

- for radiators with a height of 200 mm - 149 mm;
- for radiators with a height of 300 mm - 249 mm;
- for radiators with a height of 400 mm - 349 mm;
- for radiators with a height of 500 mm - 449 mm;

MOUNTING DETAILS

Radiator type	C 11; C 20; C 21; C 22; C 30; C 33; C H 10; C H 20; C H 30; C M 20; C M 21; C M 22; C M 30; C M 33	VC 11; VC 20; VC 21; VC 22; VC 30; VC 33; VC H 10; VC H 20; VC H 30; VC M 20; VC M 21; VC M 22; VC M 30; VC M 33	VC 21; VC 22; VC 33	C MV 20
Mounting type	Hook/Standart*	Hook/Standart*	Click/Universal*	Click/Universal*
Radiator	1	1	1	1
Passport	1	1	1	1
Package	1	1	1	1
Mounting bracket	2 (3)**	2 (3)**	-	-
Mounting kit	1	1	1	1
Thermostatic valve insert M30x1.5 or Danfoss	-	1	1	-

* – radiators with a height of 200 mm are produced only with the Click / Universal mount.

** – radiators in length (or height for radiators of Modern Vertical design)

up to 1600 mm are completed with two mounting brackets.

Radiators in length (or height for Modern Vertical radiators)

from 1700 mm to 3000 mm are completed with three mounting brackets.

TYPES OF CONNECTING RADIATORS WITH SIDE CONNECTIONS COMPACT

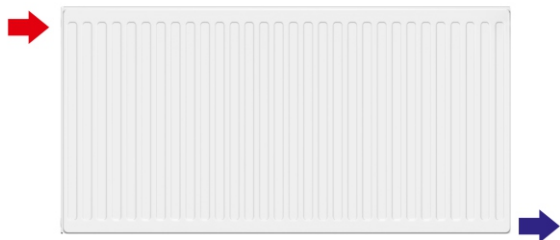


LATERAL ONE SIDE CONNECTION



It is the way of connection where an outlet and an inlet for the heat carrier set on one, either left or right, side of the radiator. The inlet pipe is connected to the upper hole, the outlet pipe is connected to the lower one on the same side. Lateral one-side connection is considered to be the most common providing smooth heating throughout the entire height of the radiator. Pipes connected vice versa (the charging pipe connected to the low hole and the outlet pipe joined to the upper hole) result in reducing heat-emission. As a rule with the lateral one-side connection a single-pipe heating system is equipped with a jumper strap (by-pass) installed between the upper & lower pipes to disconnect the proper part of the heating system if required.

CROSSFLOW DIAGONAL CONNECTION



The inlet pipe is connected to the upper corner of the radiator, the outlet pipe is connected to the opposite lower corner. The crossflow connection is ideal for radiators with the length more than 2000 mm and in case the length of the radiator is four times bigger than its height. If the lateral one-side connection is used for the above mentioned radiator, the heat carrier will not reach the far side. With the diagonal connection the heat carrier is forced to distant panel points and the radiator heats up smoothly.

SADDLE CONNECTION



Saddle connection is another version of lower connection where the inlet pipe is connected to the lower hole as well as the outlet pipe, which is connected on the opposite side. The present way of connection is recommended for the premises with the heating pipes set under the floor. This way of pipe installation contributes to the overall appearance of the premises, but one should consider that heat transfer from radiator may be reduced and the difference comes to 10%.

TYPES OF CONNECTING RADIATORS WITH BOTTOM CONNECTION VALVE COMPACT



BOTTOM CONNECTION



Type VC LEMAX radiators provide for bottom connections - option in which it is possible to disguise the heating pipes perfectly.

With the bottom connection, the inlet and outlet pipes of the heat-transfer agent are installed close to each other from the bottom edge of the radiator.

Readme! The close arrangement of the pipes should not be a cause of error. It is necessary to study the pipes labels and marks before installing the radiator - as a rule, the outlet is located closer to the lateral face of the radiator. If you confuse the location of the inlet and outlet pipes, the radiator will lose up to 30% of the power. With the right bottom connection, the panel radiators are aesthetically pleasing and effective.

INTERMEDIATE SIDE CONNECTION



The heat-transfer agent is fed to the radiator from bottom and exits through the side hole closest to the connection point.

This type of connection is used, if it is necessary to point the outlet pipe to the side, not to the down - for example, if you need to connect a system of several radiators.

INTERMEDIATE DIAGONAL CONNECTION



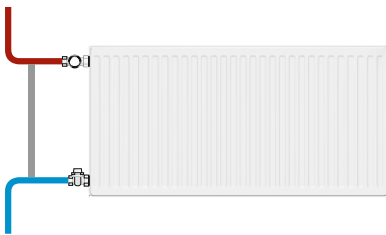
Intermediate diagonal connection of the radiator is a method in which the inlet pipe is connected from the bottom, and the heat-transfer agent outlet is in bottom side hole from the opposite side of the radiator. This method allows to output pipe to the side, if the heating circuit requires it.

Intermediate diagonal installation is recommended for radiators with length more than 2000mm; it heats evenly the radiator along the entire length.

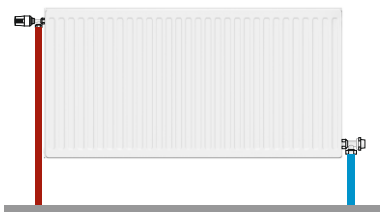
TYPES OF RADIATOR CONNECTIONS WITH SIDE CONNECTION (COMPACT)



FOR ONE-PIPE SYSTEM



Side one-way connection



Diagonal connection



Two-way connection

FITTING



Thermostatic element



Thermostatic valve angle/straight

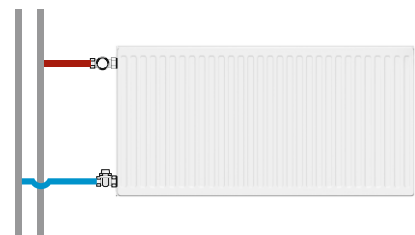


Manual control valve, angle/straight

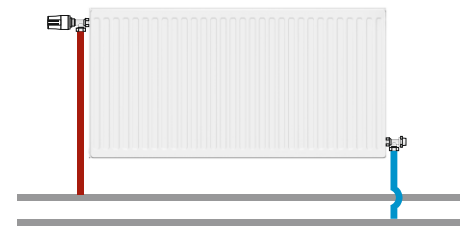


Non-return valve angled/straight

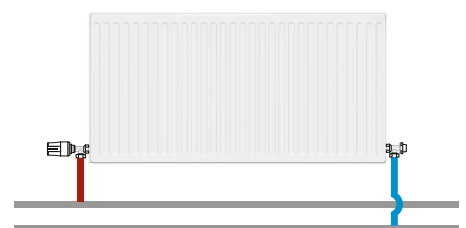
FOR TWO-PIPE SYSTEM



Side one-way connection



Diagonal connection

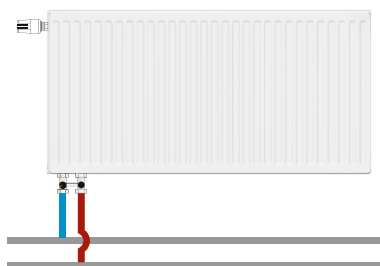


Two-way connection

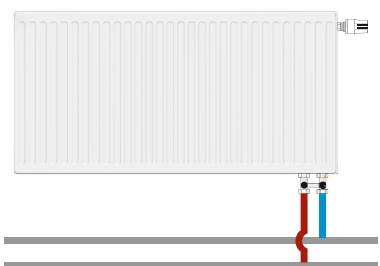
TYPES OF RADIATOR CONNECTIONS WITH BOTTOM CONNECTION (VALVE COMPACT)



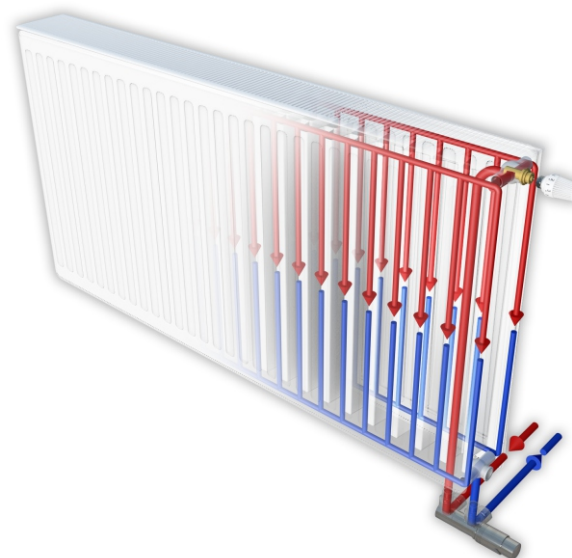
FOR TWO-PIPE SYSTEM



Bottom left connection

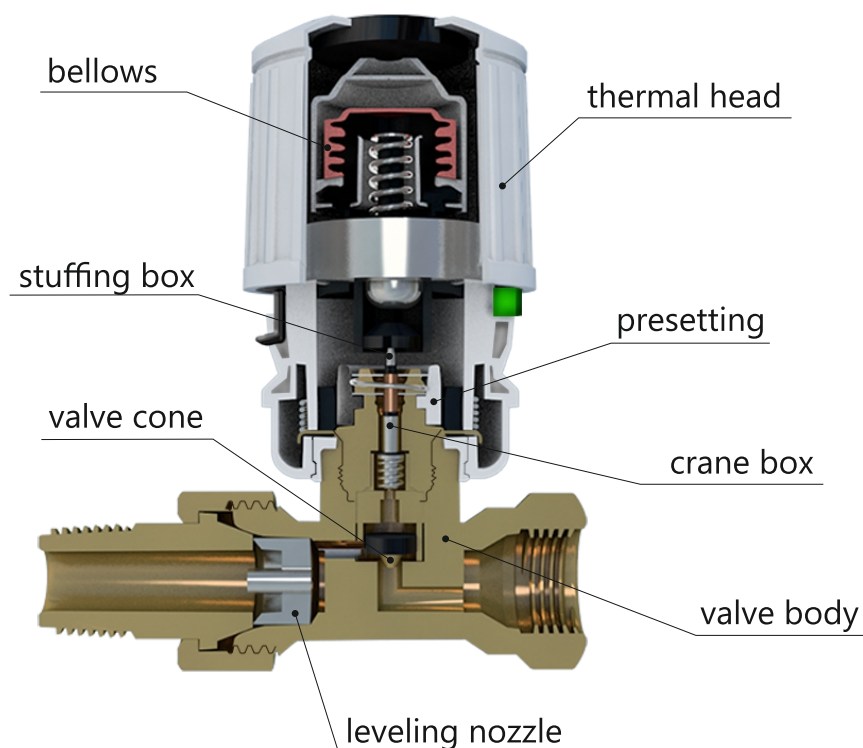


Bottom right connection



COOLANT MOVEMENT IN A STEEL PANEL RADIATOR WITH BOTTOM CONNECTION

DANFOSS THERMAL HEAD CUT



THERMOSTATIC ELEMENTS

DANFOSS



Danfoss thermostatic elements are ideal for LEMAX Premium radiators with a bottom connection (Valve Compact), equipped with a built-in valve Danfoss RA-N 013G1382.



THERMOSTATIC ELEMENT DANFOSS OEM RTR 013G7097

RTR type thermostat. consists of two parts: RTR type thermostatic element and RTR-N type (for two-pipe heating systems) or RTR-G type (for a single-pipe heating system) regulating valve with a pre-setting line capacity.

RTR 7097 is a thermostatic element with an integrated temperature sensor.

RTR type thermostatic elements are provided with devices to protect the system from freezing and limit the temperature setting



THERMOSTATIC ELEMENT DANFOSS RTR C 013G7070

RTR-C radiator thermoelements are intended for use on Danfoss radiator valves in any district or house central heating systems.

RTR-C thermostatic element is an automatic proportional controller with a small proportional band; this thermoelement is intended for use in two-pipe heating systems.

RTR-C thermoelements are equipped with a snap-on connection, which allows quickly, safely and permanently install the thermoelement on the valve body without using any tools.



THERMOSTATIC ELEMENT DANFOSS ECO 014G1003

Danfoss Eco™ is a stand-alone programmable thermostatic element for domestic use. Danfoss Eco™ powered by two AA 1.5V batteries, the thermostatic element has a compact body and is easy to control with a rotary knob and a single button.

Danfoss Eco™ is programmed with the help of an app on a smartphone using Bluetooth.

FLOOR BRACKET PK3 (ITALY)



Two ready-to-install floor brackets for panel radiators with side and bottom connections types 11 C (VC), 21 C (VC), 22 C (VC), 33 C (VC), height from 200 to 600 mm, without central connections. PK3: configuration for finished floor. We recommend using two brackets when installing radiators with a length from 400 to 1600 mm, three brackets - with a length from 1700 to 3000 mm.

FLOOR BRACKET K 11.3 (RUSSIA)



Two ready-to-install floor brackets for panel radiators with side and bottom connections types 11 C (VC), 21 C (VC), 22 C (VC), 33 C (VC), height from 200 to 600 mm, without central connections. We recommend using two brackets when installing radiators with a length from 400 to 1600 mm, three brackets - with a length from 1700 to 3000 mm.

FLOOR BRACKET KH 4.70 (RUSSIA)



Bracket KH4 is designed for fastening steel panel radiators LEMAX Premium to finishing and subfloors. Radiators with side connection with welded elements of height 300, 400, 500 and 600 mm, types 10 CH, 11 C, 20 CH, 21 C, 22 C, 30 CH, 33 C. If necessary, the upper part of the rack can be cut, and the cutting place can be closed with a plastic plug. We recommend using two brackets when installing radiators with a length from 400 to 1600 mm, three brackets - with a length from 1700 to 3000 mm.

WALL BRACKET F7V EASY, H=500mm (ITALY)



Wall brackets for LEMAX Premium panel radiators 500 mm high types 21 C (VC), 22 C (VC), 33 C (VC). Multi-adjustable top, each bracket can support up to 150 kg. If the radiator mounted with F7V EASY wall brackets, then installation complies with class 3VDI 6036.

WALL BRACKET YK, H=300mm, H=500mm (TURKEY)



Bracket for type 21 C (VC), 22 C (VC), 33 C (VC). The bracket holds the lower and top edge (top cover) of the radiator. The upper holder is made of plastic with of glass fibres which gives it excellent firmness. The plastic part of the holder is covered with metal cap which fastens on the top cover of the radiator. Bracket excels in quick fixing as the upper plastic holder automatically springs into position and locks the radiator.

WALL BRACKET K 17.3, (RUSSIA)



Bracket for type 21 C (VC), 22 C (VC), 33 C (VC). The bracket holds the lower and top edge (top cover) of the radiator. The upper holder is made of plastic with of glass fibres which gives it excellent firmness. The plastic part of the holder is covered with metal cap which fastens on the top cover of the radiator. Bracket excels in quick fixing as the upper plastic holder automatically springs into position and locks the radiator.

COLOR PALETTE RAL

A little bit of colour can magically brighten up a room and what better way to complement an interior decor than with a colourful radiator? We understand that sometimes time is of the essence. To help you, we stock a selection of the most popular sizes and colours.



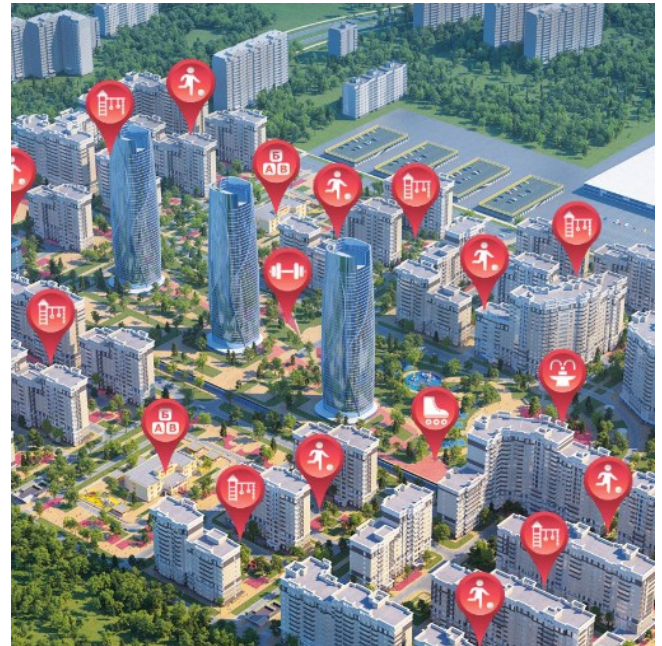
1000	1001	1002	1003	1004	6001	6002	6003	6004	6005
1005	1006	1007	1011	1012	6006	6007	6008	6009	6010
1013	1014	1015	1016	1017	6011	6012	6013	6014	6015
1018	1019	1020	1021	1023	6016	6017	6018	6019	6020
1024	1026	1027	1028	1032	6021	6022	6024	6025	6026
1033	1034	1035	1036	1037	6027	6028	6029	6032	6033
2000	2001	2002	2003	2004	6034	6035	6036	7000	7001
2005	2007	2008	2009	2010	7002	7003	7004	7005	7006
2011	2012	2013	3000	3001	7008	7009	7010	7011	7012
3002	3003	3004	3005	3007	7013	7015	7016	7021	7022
3009	3011	3012	3013	3014	7023	7024	7026	7030	7031
3015	3016	3017	3018	3020	7032	7033	7034	7035	7036
3022	3024	3026	3027	3031	7037	7038	7039	7040	7042
3032	3033	4001	4002	4003	7043	7044	7045	7046	7047
4004	4005	4006	4007	4008	7048	8000	8001	8002	8003
4009	4010	4011	4012	5000	8004	8007	8008	8011	8012
5001	5002	5003	5004	5005	8014	8015	8016	8017	8019
5007	5008	5009	5010	5011	8022	8023	8024	8025	8028
5012	5013	5014	5015	5017	8029	9001	9002	9003	9004
5018	5019	5020	5021	5022	9005	9006	9007	9010	9011
5023	5024	5025	5026	6000	9016	9017	9018	9022	9023

* Color reproduction may be distorted. For correct color matching, use the original RAL palette.

OUR FACILITIES



Minsk
Object name: Minsk Word



Krasnodar
Object name: Red Square



Rostov-on-Don
Object name: West Side



Rostov-on-Don
Object name: Selmash

PROGRAMS FOR CALCULATING THE HEATING SYSTEM



Audytor CO 6.0 is intended for the design of heating systems, regulation of existing systems (e.g. in buildings after thermal modernization). The advantage of the program is the ability to use many heat sources in one project.



Danfoss C.O 3.8 software performs hydraulic calculations, selects heating devices and diameters of shut-off and control valves, determines balancing valves, thermostat valves on connections to heating devices, and prepares a detailed specification of equipment.

TEMPERATURE CONDITION OF RADIATORS WITH SIDE AND BOTTOM CONNECTION

Height, mm	200			300						
Length, mm	Connection method			Connection method						
	Compact (C) и Valve Compact (VC)			Compact (C) и Valve Compact (VC)						
	Radiator type			Radiator type						
	21	22	33	10	11	20	21	22	30	33
400	257	316	450	173	256	306	362	461	421	660
500	322	396	563	215	320	382	451	577	526	826
600	385	475	676	259	384	458	542	693	631	991
700	450	554	788	302	448	536	632	809	736	1156
800	514	632	900	345	512	612	722	924	842	1321
900	578	712	1012	388	576	688	813	1039	948	1486
1000	643	791	1126	432	640	764	902	1155	1053	1651
1100	707	870	1238	475	705	840	993	1270	1158	1817
1200	771	950	1350	518	768	918	1084	1385	1263	1982
1300	835	1028	1464	560	832	994	1173	1501	1368	2147
1400	899	1107	1576	604	896	1070	1264	1616	1474	2312
1500	964	1187	1688	647	960	1146	1354	1731	1579	2477
1600	1028	1266	1800	690	1024	1224	1444	1847	1684	2642
1700	1093	1345	1914	733	1088	1300	1535	1963	1789	2808
1800	1157	1423	2026	777	1153	1376	1625	2079	1894	2973
1900	1221	1503	2138	820	1216	1452	1715	2194	1999	3137
2000	1285	1582	2252	863	1280	1530	1806	2309	2105	3303
2100	1349	1661	2364	906	1344	1606	1896	2425	2210	3468
2200	1413	1741	2476	949	1408	1682	1986	2540	2315	3633
2300	1478	1819	2588	992	1472	1758	2076	2655	2421	3799
2400	1542	1898	2702	1035	1536	1834	2167	2771	2526	3963
2500	1607	1978	2814	1078	1601	1912	2257	2886	2631	4128
2600	1671	2057	2926	1122	1664	1988	2347	3001	2737	4293
2700	1736	2136	3040	1166	1728	2063	2435	3119	2843	4458
2800	1799	2215	3152	1208	1792	2140	2528	3233	2947	4624
2900	1865	2294	3265	1253	1856	2216	2616	3350	3054	4788
3000	1928	2373	3376	1294	1920	2294	2708	3464	3157	4954

TECHNICAL SPECIFICATIONS



TEMPERATURE CONDITION OF RADIATORS WITH SIDE AND BOTTOM CONNECTION

Height, mm	400						
Length, mm	Connection method						
	Compact (C) и Valve Compact (VC)						
	Radiator type						
	10	11	20	21	22	30	33
400	221	333	385	459	599	531	859
500	276	416	481	575	749	664	1073
600	332	500	578	690	898	797	1289
700	387	583	674	804	1049	930	1503
800	442	665	770	920	1198	1063	1718
900	497	749	866	1035	1347	1196	1932
1000	553	832	963	1149	1498	1329	2147
1100	608	916	1059	1265	1647	1462	2362
1200	663	999	1156	1379	1797	1595	2576
1300	719	1082	1251	1495	1947	1728	2791
1400	774	1165	1348	1610	2096	1861	3006
1500	829	1248	1444	1724	2246	1994	3221
1600	885	1332	1541	1840	2396	2127	3435
1700	939	1414	1637	1954	2545	2260	3650
1800	995	1498	1733	2069	2696	2393	3865
1900	1051	1581	1829	2185	2845	2526	4079
2000	1105	1664	1926	2299	2995	2658	4294
2100	1161	1748	2022	2414	3145	2791	4508
2200	1216	1830	2119	2529	3294	2924	4724
2300	1271	1914	2215	2644	3444	3057	4938
2400	1327	1997	2311	2759	3594	3190	5153
2500	1382	2081	2407	2874	3743	3323	5367
2600	1437	2164	2504	2989	3893	3456	5583
2700	1493	2246	2600	3102	4045	3588	5797
2800	1548	2330	2697	3219	4193	3721	6011
2900	1604	2413	2793	3332	4344	3854	6226
3000	1658	2497	2889	3448	4492	3987	6441

TECHNICAL SPECIFICATIONS



TEMPERATURE CONDITION OF RADIATORS WITH SIDE AND BOTTOM CONNECTION

Height, mm	500						
Length, mm	Connection method						
	Compact (C) и Valve Compact (VC)						
	Radiator type						
	10	11	20	21	22	30	33
400	269	402	461	555	728	639	1045
500	336	502	577	693	911	798	1306
600	403	603	691	832	1092	958	1568
700	470	702	806	971	1274	1119	1828
800	537	802	922	1109	1456	1278	2090
900	605	903	1037	1248	1639	1438	2351
1000	672	1003	1153	1387	1820	1598	2612
1100	739	1104	1268	1525	2002	1757	2874
1200	805	1204	1383	1664	2185	1917	3135
1300	872	1305	1499	1804	2367	2076	3396
1400	939	1405	1614	1943	2548	2236	3658
1500	1007	1506	1729	2081	2731	2396	3919
1600	1074	1606	1845	2220	2913	2555	4180
1700	1141	1706	1960	2359	3094	2715	4441
1800	1208	1807	2074	2497	3276	2875	4702
1900	1275	1907	2190	2636	3459	3034	4964
2000	1343	2007	2305	2775	3641	3195	5225
2100	1410	2107	2421	2913	3822	3355	5486
2200	1477	2208	2536	3052	4005	3514	5747
2300	1544	2308	2651	3191	4187	3674	6009
2400	1611	2408	2767	3329	4369	3834	6270
2500	1678	2509	2882	3468	4551	3993	6531
2600	1746	2609	2997	3607	4733	4153	6793
2700	1814	2708	3113	3745	4914	4315	7052
2800	1880	2810	3228	3884	5097	4472	7315
2900	1949	2909	3344	4022	5278	4634	7575
3000	2014	3011	3458	4161	5461	4792	7837

TECHNICAL SPECIFICATIONS



TEMPERATURE CONDITION OF RADIATORS WITH SIDE AND BOTTOM CONNECTION

Height, mm	600						
Length, mm	Connection method						
	Compact (C) и Valve Compact (VC)						
	Radiator type						
	10	11	20	21	22	30	33
400	315	461	535	647	850	744	1220
500	394	577	668	809	1062	930	1524
600	473	692	801	970	1274	1117	1829
700	552	808	935	1133	1487	1302	2134
800	630	923	1069	1295	1700	1488	2439
900	710	1038	1203	1456	1912	1674	2744
1000	788	1154	1336	1618	2124	1860	3049
1100	867	1270	1470	1780	2337	2047	3354
1200	946	1385	1604	1942	2549	2232	3659
1300	1025	1501	1738	2103	2761	2418	3962
1400	1103	1616	1870	2265	2974	2604	4267
1500	1182	1731	2004	2427	3187	2790	4572
1600	1261	1847	2138	2588	3399	2977	4877
1700	1340	1962	2272	2750	3611	3162	5182
1800	1418	2078	2405	2912	3823	3349	5487
1900	1498	2193	2539	3074	4037	3534	5792
2000	1576	2308	2673	3235	4249	3720	6097
2100	1655	2424	2807	3398	4461	3907	6401
2200	1733	2539	2940	3560	4673	4092	6706
2300	1813	2654	3074	3721	4886	4279	7011
2400	1891	2770	3207	3883	5099	4464	7316
2500	1970	2885	3341	4045	5311	4650	7621
2600	2049	3000	3474	4207	5523	4837	7926
2700	2128	3116	3607	4369	5735	5022	8232
2800	2206	3231	3742	4530	5948	5209	8536
2900	2285	3347	3874	4692	6160	5394	8842
3000	2364	3462	4009	4853	6373	5581	9145

TECHNICAL SPECIFICATIONS



TEMPERATURE CONDITION OF RADIATORS MODERN WITH SIDE AND BOTTOM CONNECTION

Height, mm	200			300				
Length, mm	Connection method			Connection method				
	Compact (C) и Valve Compact (VC)			Compact (C) и Valve Compact (VC)				
	Radiator type			Radiator type				
	21	22	33	20	21	22	30	33
400	246	314	445	306	358	455	421	660
500	308	393	557	382	445	569	526	826
600	369	472	669	458	535	684	631	991
700	431	551	780	536	624	798	736	1157
800	492	628	890	612	713	912	842	1322
900	554	708	1001	688	803	1025	948	1487
1000	616	786	1114	764	891	1140	1053	1652
1100	677	865	1225	840	981	1253	1158	1818
1200	738	944	1336	918	1071	1367	1263	1983
1300	800	1022	1448	994	1159	1481	1368	2148
1400	861	1100	1559	1070	1249	1595	1474	2313
1500	923	1180	1670	1146	1337	1708	1579	2478
1600	985	1258	1781	1224	1426	1823	1684	2643
1700	1047	1337	1893	1300	1516	1937	1789	2809
1800	1108	1414	2004	1376	1605	2052	1894	2974
1900	1169	1494	2115	1452	1694	2165	1999	3138
2000	1231	1572	2228	1530	1784	2279	2105	3305
2100	1292	1651	2339	1606	1873	2393	2210	3470
2200	1353	1730	2449	1682	1962	2507	2315	3635
2300	1416	1808	2560	1758	2051	2620	2421	3801
2400	1477	1886	2673	1834	2140	2735	2526	3965
2500	1539	1966	2784	1912	2229	2848	2631	4130
2600	1600	2044	2895	1988	2318	2962	2737	4295
2700	1663	2122	3008	2063	2406	3078	2843	4460
2800	1723	2201	3118	2140	2497	3191	2947	4626
2900	1786	2279	3230	2216	2584	3306	3054	4790
3000	1847	1942	3340	2294	2675	3419	3157	4956

TECHNICAL SPECIFICATIONS



TEMPERATURE CONDITION OF RADIATORS MODERN WITH SIDE AND BOTTOM CONNECTION

Height, mm	400				
Length, mm	Connection method				
	Compact (C) и Valve Compact (VC)				
	Radiator type				
	20	21	22	30	33
400	385	455	596	531	855
500	481	570	746	664	1068
600	578	684	894	797	1283
700	674	797	1044	930	1497
800	770	912	1192	1063	1711
900	866	1025	1341	1196	1924
1000	963	1138	1491	1329	2138
1100	1059	1253	1639	1462	2352
1200	1156	1366	1789	1595	2565
1300	1251	1481	1938	1728	2779
1400	1348	1595	2086	1861	2993
1500	1444	1708	2236	1994	3207
1600	1541	1823	2385	2127	3420
1700	1637	1936	2533	2260	3634
1800	1733	2050	2684	2393	3848
1900	1829	2165	2832	2526	4061
2000	1926	2278	2981	2658	4276
2100	2022	2392	3130	2791	4489
2200	2119	2506	3279	2924	4704
2300	2215	2620	3428	3057	4917
2400	2311	2734	3577	3190	5131
2500	2407	2848	3726	3323	5344
2600	2504	2961	3875	3456	5559
2700	2600	3074	4026	3588	5772
2800	2697	3189	4174	3721	5985
2900	2793	3301	4324	3854	6199
3000	2889	3416	4471	3987	6413

TECHNICAL SPECIFICATIONS



TEMPERATURE CONDITION OF RADIATORS MODERN WITH SIDE AND BOTTOM CONNECTION

Height, mm	500				
Length, mm	Connection method				
	Compact (C) и Valve Compact (VC)				
	Radiator type				
	20	21	22	30	33
400	461	547	728	639	1035
500	577	683	911	798	1294
600	691	821	1092	958	1554
700	806	958	1274	1119	1811
800	922	1094	1456	1278	2071
900	1037	1231	1639	1438	2329
1000	1153	1368	1820	1598	2588
1100	1268	1504	2002	1757	2848
1200	1383	1641	2185	1917	3106
1300	1499	1779	2367	2076	3365
1400	1614	1916	2548	2236	3624
1500	1729	2052	2731	2396	3883
1600	1845	2189	2913	2555	4142
1700	1960	2326	3094	2715	4400
1800	2074	2463	3276	2875	4659
1900	2190	2600	3459	3034	4918
2000	2305	2737	3641	3195	5177
2100	2421	2873	3822	3355	5435
2200	2536	3010	4005	3514	5694
2300	2651	3147	4187	3674	5954
2400	2767	3283	4369	3834	6212
2500	2882	3420	4551	3993	6471
2600	2997	3557	4733	4153	6730
2700	3113	3693	4914	4315	6987
2800	3228	3830	5097	4472	7248
2900	3344	3967	5278	4634	7505
3000	3458	4104	5461	4792	7765

TECHNICAL SPECIFICATIONS



TEMPERATURE CONDITION OF RADIATORS MODERN WITH SIDE AND BOTTOM CONNECTION

Height, mm	600				
Length, mm	Connection method				
	Compact (C) и Valve Compact (VC)				
	Radiator type				
	20	21	22	30	33
400	535	638	840	744	1209
500	668	798	1050	930	1510
600	801	957	1259	1117	1813
700	935	1117	1470	1302	2115
800	1069	1277	1680	1488	2417
900	1203	1436	1890	1674	2720
1000	1336	1596	2100	1860	3022
1100	1470	1755	2310	2047	3324
1200	1604	1915	2520	2232	3626
1300	1738	2074	2729	2418	3927
1400	1870	2234	2940	2604	4229
1500	2004	2394	3150	2790	4531
1600	2138	2552	3360	2977	4834
1700	2272	2712	3569	3162	5136
1800	2405	2872	3779	3349	5438
1900	2539	3032	3991	3534	5740
2000	2673	3190	4200	3720	6043
2100	2807	3351	4410	3907	6344
2200	2940	3511	4619	4092	6646
2300	3074	3670	4830	4279	6949
2400	3207	3830	5040	4464	7251
2500	3341	3989	5250	4650	7553
2600	3474	4149	5460	4837	7855
2700	3607	4308	5669	5022	8159
2800	3742	4468	5880	5209	8460
2900	3874	4628	6089	5394	8763
3000	4009	4786	6300	5581	9064

TECHNICAL SPECIFICATIONS



TEMPERATURE CONDITION OF RADIATORS MODERN VERTICAL

Radiator type	20		
Length, mm	Connection method		
	Compact (C)		
	Height, mm		
	300	400	500
400	306	385	461
500	382	481	577
600	458	578	691
700	536	674	806
800	612	770	922
900	688	866	1037
1000	764	963	1153
1100	840	1 059	1 268
1200	918	1 156	1 383
1300	994	1251	1499
1400	1070	1348	1614
1500	1146	1444	1729
1600	1224	1541	1845
1700	1300	1637	1960
1800	1376	1733	2074
1900	1452	1829	2190
2000	1530	1926	2305
2100	1606	2022	2421
2200	1682	2119	2536
2300	1758	2215	2651
2400	1834	2311	2767
2500	1912	2407	2882
2600	1988	2504	2997
2700	2063	2600	3113
2800	2140	2697	3228
2900	2216	2793	3344
3000	2294	2889	3458



WHAT ARE WE?

- Your reliable Partner
- The leader of the Russian market in the field of domestic heating equipment
- Manufacturing and trading company of federal level

WHAT DO WE MAKE?

Steel panel radiators

- with lateral connection of Compact (TYPE 10,11, 20, 21, 22, 30, 33)
- with lower connection of Valve Compact (TYPE 10,11, 20, 21, 22, 30, 33)
- more than 50 colors of radiators

WHY WITH US?

- We own the newest plant equipped with LEAS fully automated line
- We proved a multilevel quality control of our products
- Our radiators are available in a wide dealer network throughout Russia

HOW TO FIND US?

- Visit us lemax-radiator.com
- Call us +7 8634 312 345
- Write us info-radiator@lemax.ru

